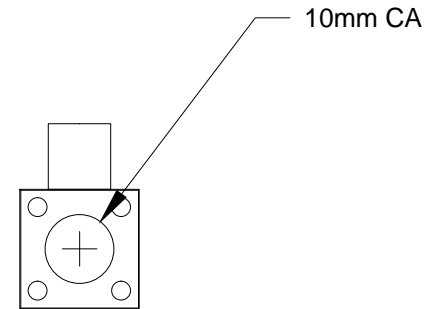
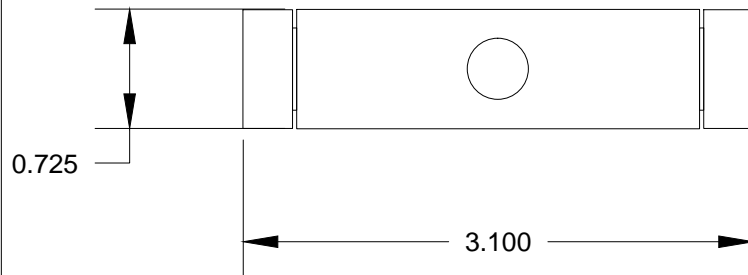
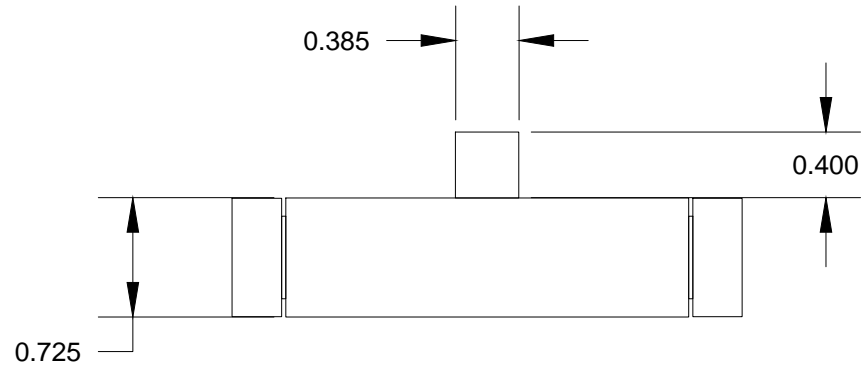


Free-space Copper Cell:
 10mm clear aperture; 6.25cm path length



HF Tube	Wavelength References Inc.
Scale 1:x	2.5 Inch Copper Assembly Drawing
Jeremy Colson	Dimensions in inches unless noted otherwise
2/01/2011	Revision 1.0