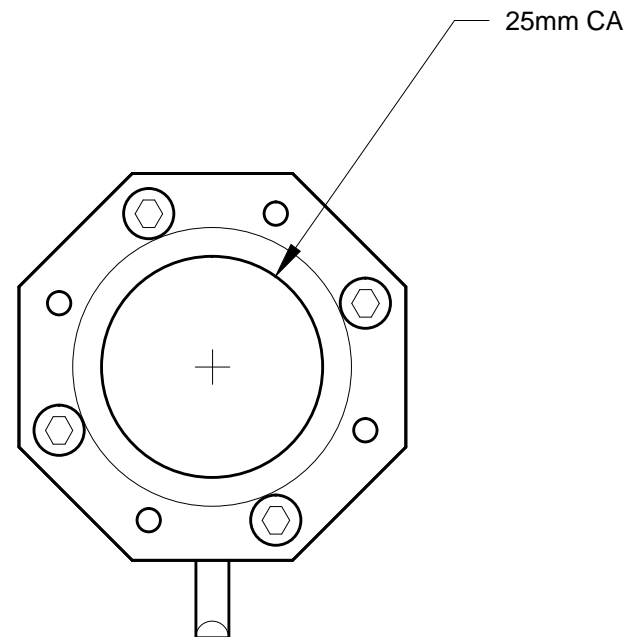
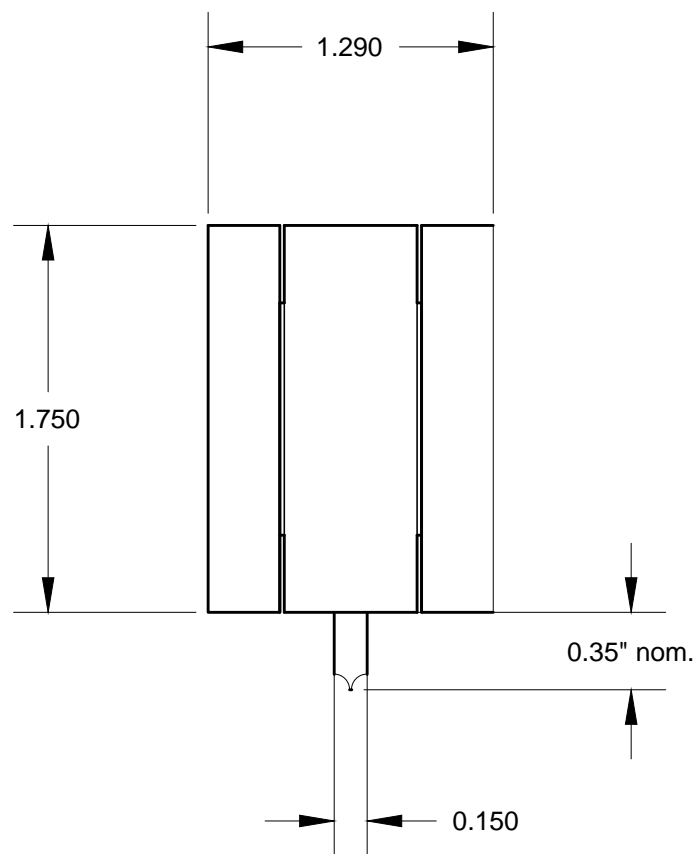


# Copper Octagonal Cell: 25mm clear aperture; 1.6cm path length



1 inch aperture assembly	
Scale 1:x	Wavelength References Inc.
John Ebner	Dimensions in inches unless noted otherwise
2/23/2010	Revision 1.0